



1000M Transformer

JASN is a leading China 1000M Transformer manufacturer, supplier and exporter. The PN G24P70S designed to meet IEEE 802.3ab standard and it is suitable for PCMCIA application.

Model:G24P70S

As a professional 1000M Transformer manufacturer, you can rest assured to buy 1000M Transformer from JASN factory and we will offer you the best after-sale service and timely delivery.

Feature

Compliant with IEEE 802.3ab standard.

Comply with RoHS requirements.

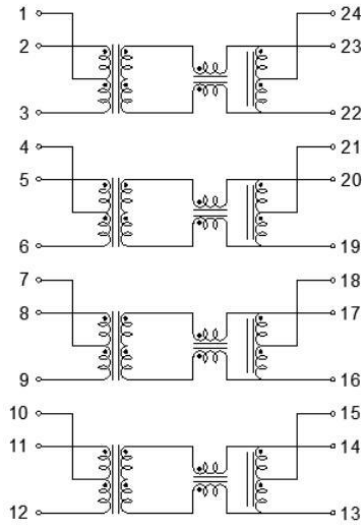
Operating temperature range: 0°C to +70°C.

Storage temperature range: -25°C to +125°C.

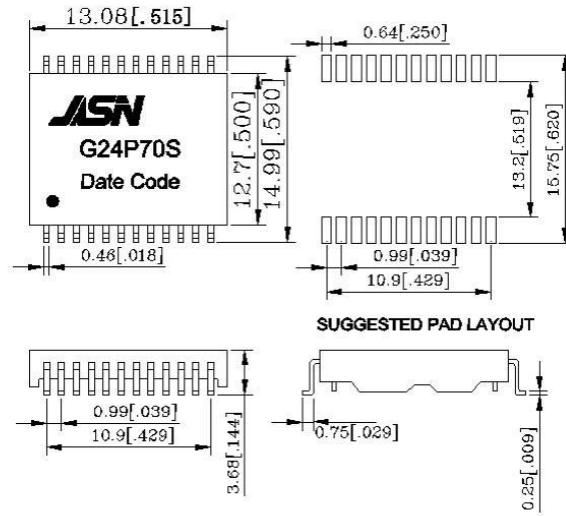
Electrical Specifications @ 25°C

OCL:	350uH Min. @100KHz/0.1V with 8mA DC Bias				
Hi-POT :	1500Vrms				
Turn Ratio:	1:1±3%				
LK:	0.5uH Max @100KHz/0.2V				
Cw/w	35PF Max @100KHz/0.2V				
D.C.R:	1.2 ohm Max				
Insertion Loss:	1-100MHz: -1.0dB Max				
Cross Talk :	1-100MHz: -35dB Min				
Return Loss:	1-30MHz	40MHz	50MHz	60-80MHZ	80-100MHZ
	-18dB Min	-14.4dB Min	-13.1dB Min	-12dB Min	-10dB Min

Schematic



Mechanical



Unless otherwise specified, all tolerances are ± 0.25